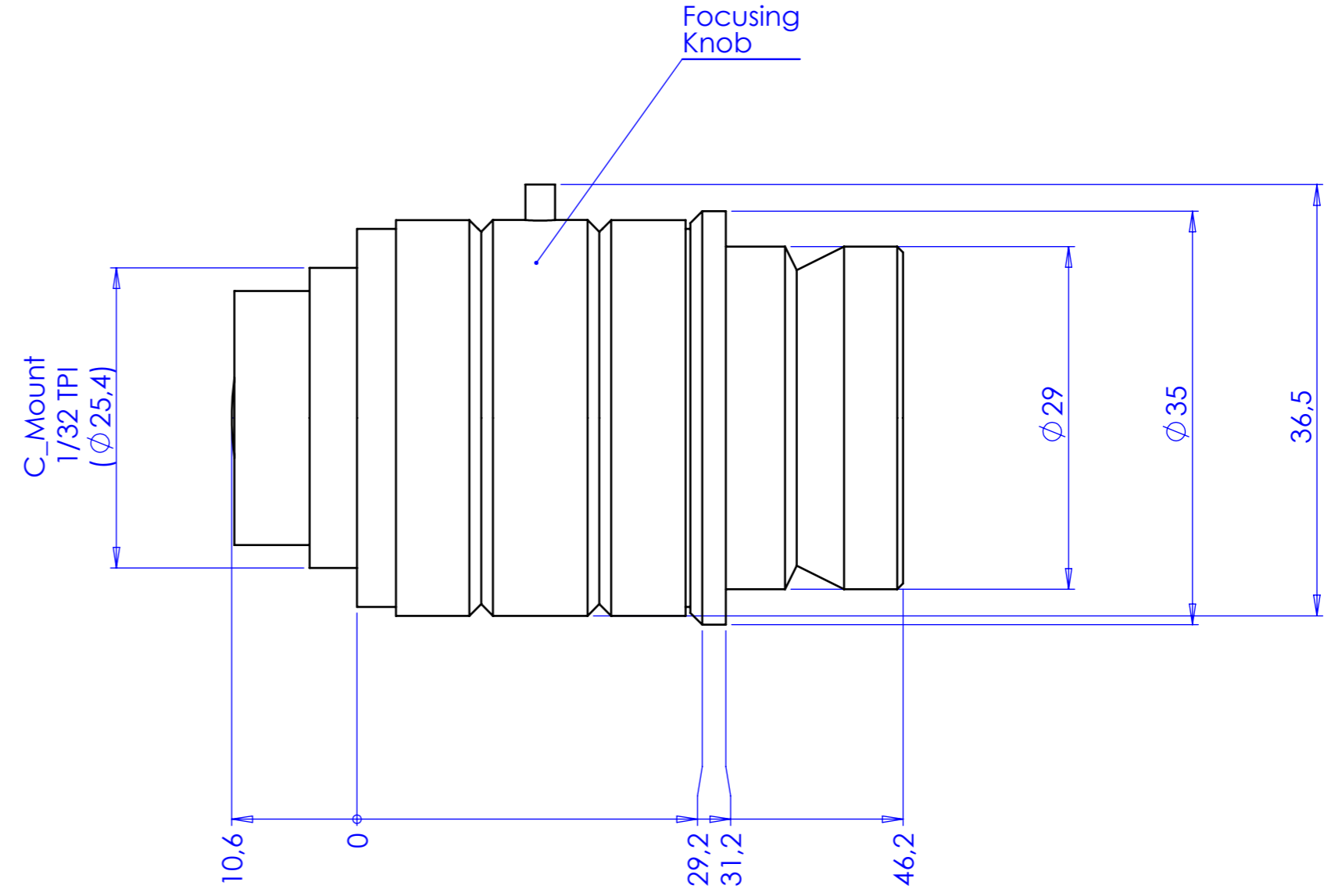
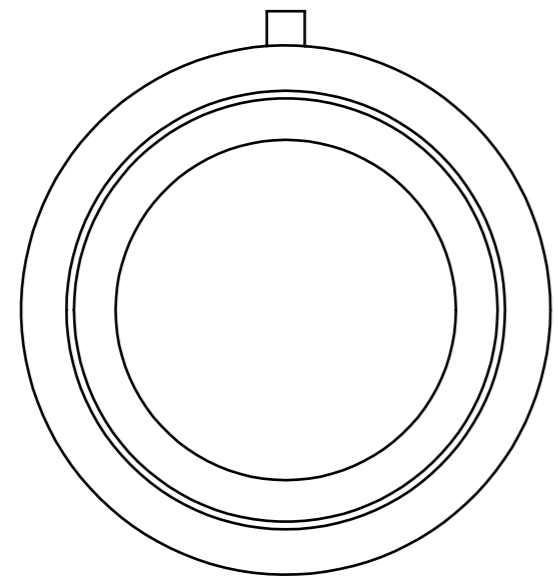


1 2 3 4 5 6 7 8

Rev No.	Description	Date	Name



D
C
B
A

D
C
B
A

Material		N.A.				Mass	90 gr	Scale	2:1		
Surface treatment						Project-Prod.item/Instrument					
						OIHP12030					
Geometrical tolerance (ISO 2768-2)						Class		K		Description	
Linear tolerance (ISO 2768-2)						Class		m			
0.5 ±3	>3± 6	>6± 30	>30± 120	>120 ±400	>400± 1000	>1000 ±2000	>2000 ±4000	Undimensioned bevels			
±0.1	±0.1	±0.2	±0.3	±0.5	±0.8	±1.2	±2	Undimensioned radii		0.5x45° R 0.5	
		Date		Name		Drawing No.		Sheet			
		Designed		06/11/2013		A.Bna		20532-0-A		1/1	
		Draw		06/11/2013		A.Bna					
Checked		X		C. Sedazzari		Reproduction forbidden without specific authorization					
OPTO ENGINEERING S.r.l. - Mantova Italy - Tel. +39 0376 263525 - e-mai: info@opto-engineering.com - http://www.opto-engineering.com											

1 2 3 4 5 6 7 8

0 1 2 3 4 5 6 7 8 9 10